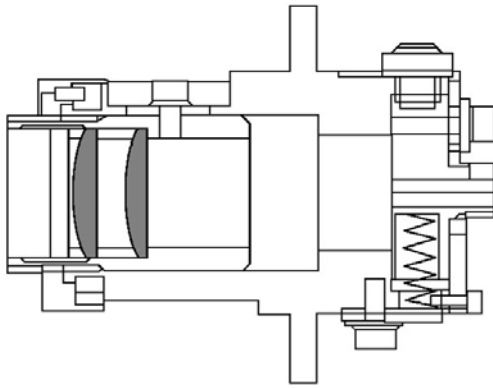
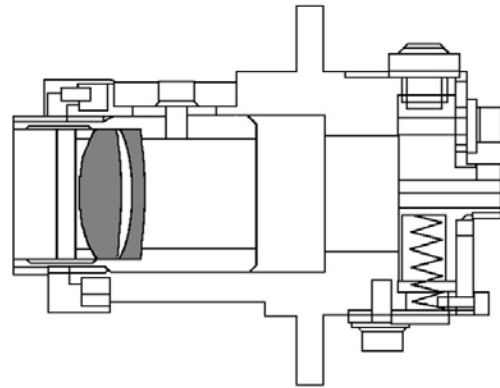


INPUT COUPLING ASSEMBLIES



Plano-Convex Configuration

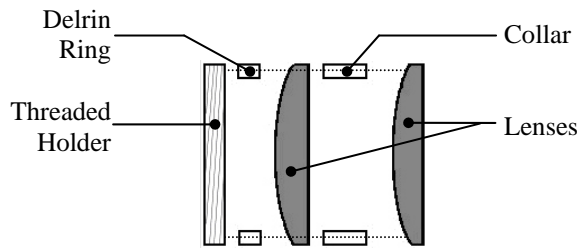


Doublet Configuration

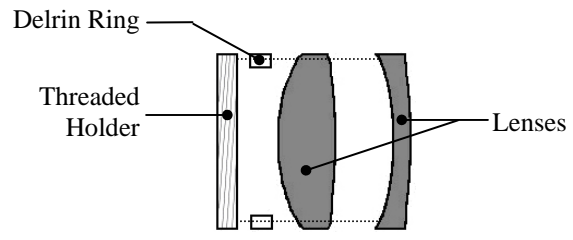
Laser Model	MUC Pt #	Input Coupler	Coupler Assembly	Reference Drawing	Element Type		
					Configuration	Dia	FL
LW2AG	A-05736-001	A-05736-001	A-05736-001	A-05736-001	Plano-Convex	20	80
LW5A-25A	MLU-0405A	MLU-0405-00	MLU-0405-00	A3-00992	Plano-Convex	20	80
LW50A-150A	A-04158-001	MLU-0405-00	A-04158-001 ¹	A-04158-001	Plano-Convex	20	80
LW300A(H)-400A	A-04158-003	MLU-0247-00	A-04158-003 ¹	A-04158-003	Plano-Convex	30	80
LW500A-600A	A-04158-002	MLU-0593-00	A-04158-002 ¹	A-04158-002	Doublet	30	40
LW10-15	MLU-0405A	MLU-0405-00	MLU-0405-00	A3-00992	Plano-Convex	20	80
LW51-300	4-60038-01	MLU-0247-00	MLU-0247-00	L3-2007	Plano-Convex	30	80
LW400-500	4-60868-01	MLU-0593-00	MLU-0593	A3-02843	Doublet	30	40

1. Coupler Assembly includes the Input Coupler and Mounting Bracket.

Optical Element Assemblies:



Plano-Convex Configuration

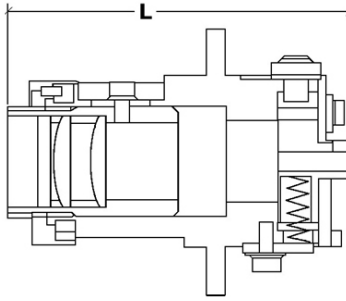


Doublet Configuration

Laser Model	Input Coupler	MHC Code	Lens Pt #	Lens Assembly	Collar	Delrin Ring	Threaded Holder
LW2AG	A-05736-001	LE001187	SL-0315	SLB-20-80PY2	A4-01988	A4-02347	A4-01985
LW5A-25A	MLU-0405-00	LE000208	SL-0018	SLB-20-80PY1	A4-01988	A4-02347	A4-01985
LW50A-150A	MLU-0405-00	LE000530	SL-0018	SLB-20-80PY1	A4-01988	A4-02347	A4-01985
300A(H)-400A	MLU-0247-00	LE000678	SL-0036	SLB-30-80PY1	(L4-03975)	A4-02346	L4-03791
500A-600A	MLU-0593-00	LE000628	SL-0059	YW-30-40(Y1)	A4-05410	A4-02346	A4-05410
LW10-15	MLU-0405-00	LE000208	SL-0018	SLB-20-80PY1	A4-01988	A4-02347	A4-01985
LW51-300	MLU-0247-00	LE000192	SL-0036	SLB-30-80PY1	(L4-03975)	A4-02346	L4-03791
LW400-500	MLU-0593-00	LE000328	SL-0059	YW-30-40(Y1)	A4-05410	A4-02346	A4-05410

INPUT COUPLING ASSEMBLIES

Input Coupling Adjustments:



Laser Model	MUC Pt #	Reference Document	Input Coupler	Distance "L" (Ideal Setting)	
				GI Fiber	SI Fiber
LW2AG	A-05736-001	QAD099	A-05736-001	Not specified	66.3 ± 0.05mm
LW5A(M)	MLU-0405A	QAD099	MLU-0405-00	See GI Fiber Table	67.3 ± 0.05mm
LW15A	MLU-0405A	QAD099	MLU-0405-00	See GI Fiber Table	67.3 ± 0.05mm
LW25A	MLU-0405A	QAD099	MLU-0405-00	68.2 ± 0.05mm	67.3 ± 0.05mm
LW50A/70A/150A	A-04158-001	QAD099	MLU-0405-00	68.2 ± 0.05mm	67.3 ± 0.05mm
LW300A(H)/400A	A-04158-003	QAD099	MLU-0247-00	66.5 ± 0.05mm	66.7 ± 0.05mm
LW500A/600A	A-04158-002	QAD101	MLU-0593-00	64.6 ± 0.05mm	64.4 ± 0.05mm
LW10	MLU-0405A	QAD099	MLU-0405-00	See GI Fiber Table	67.3 ± 0.05mm
LW15	MLU-0405A	QAD099	MLU-0405-00	68.2 ± 0.05mm	67.3 ± 0.05mm
LW51/52/100	4-60038-01	QAD099	MLU-0247-00	67.0 ± 0.05mm	66.7 ± 0.05mm
LW250/300	4-60038-01	QAD099	MLU-0247-00	66.5 ± 0.05mm	66.7 ± 0.05mm
LW400/500	4-60868-01	QAD101	MLU-0593-00	64.6 ± 0.05mm	64.4 ± 0.05mm

GI Fiber Adjustment for LW5A(M)/15A/10 Laser Welders

MUC Pt #	Input Coupler	Distance "L" (based on GI fiber diameter)			
		200µm	300µm	400µm	600µm – 1,000µm
MLU-0405A	MLU-0405-00	67.7 ± 0.05mm	68.2 ± 0.05mm	68.2 ± 0.05mm	68.7 ± 0.05mm

